

SPECIFICATION

STAGE V

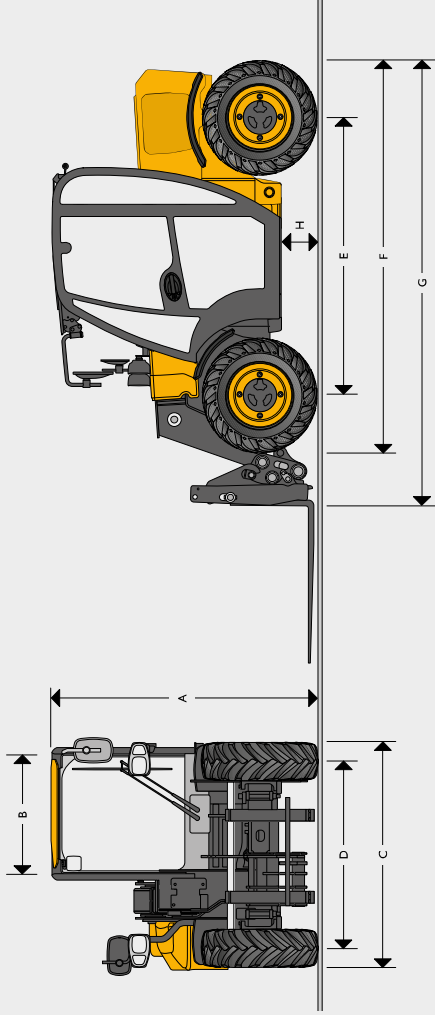


LOADALL | COMPACT CONSTRUCTION RANGE

Gross power: 19kW - 55kW Lift capacity: 1400kg - 2500kg Lift height: 4m - 6m

JCB

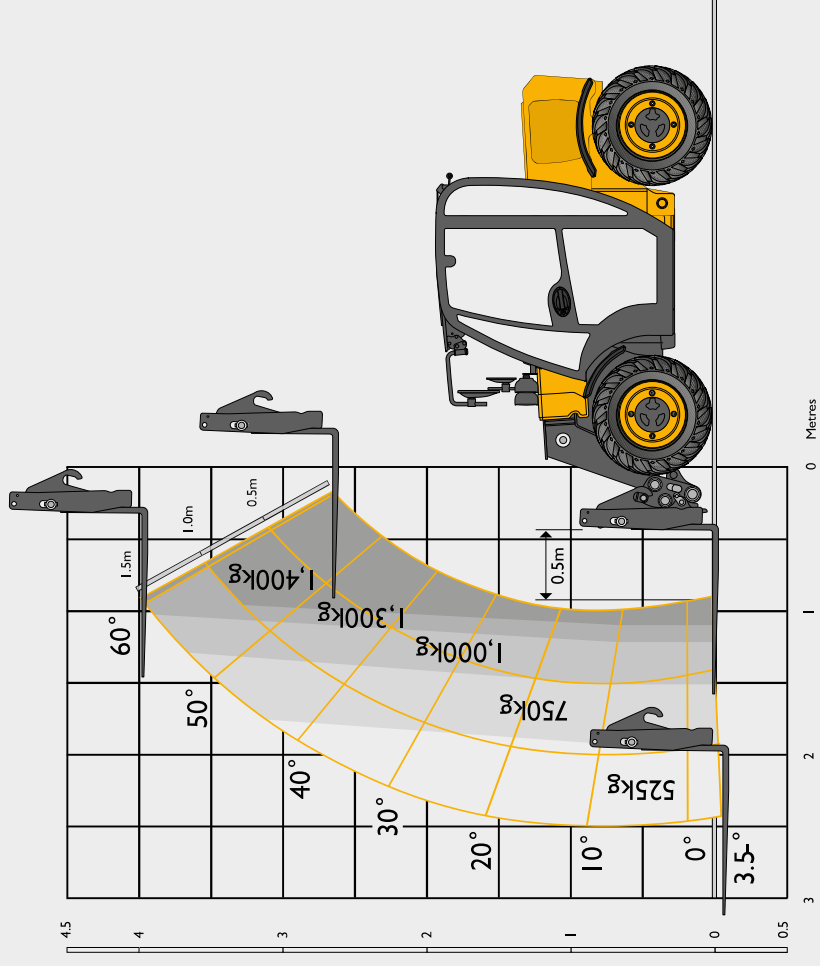
STATIC DIMENSIONS



Machine model	514-40
A Overall height	m
B Inside width of cab	0.87
C Width over tyres	1.56
D Front track	1.29
E Wheelbase	1.88
F Overall length to front tyres	2.61
G Overall length to front carriage	2.99
H Ground clearance	0.19
Outer turn radius over tyres	2.81
Carriage roll back angle at ground	12/30*
Carriage dump angle at max height	degrees
Weight (operating weight)	2915
Weight (unladen with forks & frame)	2840
Weight (unladen, no attachment)	2700
Tyres	10x16.5
	12x16.5

*Bucket.

LIFT PERFORMANCE



Machine model

Machine model	514-40
Maximum lift capacity	kg
Lift capacity to full height	1400
Lift capacity at full reach	kg
Maximum lift height	525
Reach at max. lift height	mm
Maximum forward reach	4035
Reach with 1 tonne payload	mm
Maximum forward reach	890
Reach with 1 tonne payload	mm
Maximum forward reach	2510
Reach with 1 tonne payload	mm
Maximum forward reach	1510

Complies with stability test EN 1459 Annex B.

ENGINE		514-40	520-40	525-60 Hi-Viz
Engine model		Perkins 403J-11	Perkins 403J-17	JCB Diesel by Kohler
Power	kW	18.4	18.4	55
Torque	Nm	66.9Nm @ 1400rpm	98Nm @ 1400rpm	300Nm @ 1500rpm
Displacement	litres	1.1	1.7	2.5
Number of cylinders		3	3	4

TRANSMISSION		514-40	520-40	525-60 Hi-Viz
Type			Hydrostatic	
Modes			2 Speed	
Drive			Permanent 4 Wheel Drive	
Maximum speed	kph	15	15	25

ELECTRICAL SYSTEM		514-40	520-40	525-60 Hi-Viz
System voltage	Volt	12	12	12
Alternator output	Amp hour	62	85	100
Battery capacity	Amp hour	65	80	120

HYDRAULICS		514-40	520-40	525-60 Hi-Viz
Maximum system pressure	bar	230	230	260
Flow rate	ltr/min	23	40	80
Joystick control		Twin lever	Twin lever	Single lever Servo
Steer modes		Permanent 4 Wheel Steer		3 modes

Cycle times		514-40	520-40	525-60 Hi-Viz
Boom Raise	seconds	7	8.9	7.6
Boom Lower	seconds	5	5.9	5.3
Extend	seconds	8.6	4.7	7.5
Retract	seconds	4.3	4.7	3.7
Bucket Dump	seconds	2.7	4.8	1.9
Bucket Crowd	seconds	3.7	4	2.9

SERVICE CAPACITIES

	514-40	520-40	525-60 Hi-Viz
Fuel tank	litres	27	61
Hydraulic tank	litres	25	33

BRAKES

	514-40	520-40	525-60 Hi-Viz
Service brakes		Hydraulically operated self-adjusting	
Parking brake		Cable manually operated drum brake	SAHR Handbrake self adjusting

OPTIONS

	514-40	520-40	525-60 Hi-Viz
CAB			
ROPS ISO3471	•	•	•
FOPS ISO 3449	•	•	•
Hourmeter	•	•	•
Adjustable fabric seat	•	•	•
Digital dash display	•	•	•
LiveLink telematics	•	•	•
Load control system (LMI)	•	•	•

ACCESSORIES

Reversing alarm	•	•	•
50mm towing ball with 7 pin trailer electrics	•	-	-
Halogen work lights	-	+	+
LED work lights	+	-	+
Amber beacon	+	+	+
Green beacon with orange seat belt	+	+	+
Competitor carriages	+	+	+
Window guards	-	+	+
Sun blind	+	+	+
Immobiliser	+	+	+
Air conditioning	-	-	+
FM radio kit	+	+	+

STANDARD •**OPTIONAL** +**NOT APPLICABLE** -