



## DW60

### Wheel Dumper

The smooth power package for versatile applications

The DW60 represents one of the larger wheel dumpers from Wacker Neuson. Alongside the countless basic safety features, like skip and tilt monitoring, it also provides the right option for very particular applications: Whether turf tires for the protection of the subbase, or a comfort cab including heated seats, Bluetooth radio with hands-free, and air-conditioning system for all-weather use. The articulated joint and the hydrostatic drive system also make it a reliable work machine with a high tractive force, stability, and power, even with a full load.

### Highlights

- Hill-Hold function
- Inclination monitoring
- Hydrostatic 4-wheel drive with automatic ECO mode
- Seat belt monitoring with start release
- Active Sense Control

### Technical Data

#### Hydraulic

Operating pressure hydraulics	240.0 bar
Hydraulic pump	ZRP
Flow rate	59.0 l/min
Tank capacity	64.0 l

#### Mechanical - Output Details

Travel speed	25.0 km/h
Travel speed (Option)	25.0 km/h

#### Mechanical Details

Length	4,554.0 mm
Width	2,378.0 mm
Height	3,340.0 mm
Weight cabin	4,683.0 kg
Weight ROPS	4,483.0 kg
Payload	6,000.0 kg
Skip	Front tip skip
Skip capacity levelled	2,700.0 l
Skip capacity heaped	3,500.0 l
Skip capacity waterlevel	1,900.0 l
Pendulum angle	11.0 °
Operating weight (min.-max.)	3,799.0 - 4,611.0 kg

#### Engine

Cooling	Water-cooling
Engine type	Turbodiesel engine
Cylinder	4.0
Cylinder capacity	2,200.0 cm <sup>3</sup>
Inclined position max.	20.0 °
Fuel	HVO EN15940
Effective power	44.5 kW
Nominal Engine speed	2,300.0 1/min
Exhaust-gas limit	EU Stage V
Starter battery Voltage	12.0 V
Engine Manufacturer	Deutz
Engine Designation	TD 2.2 L3

#### Environment Data

Sound power LWA, guaranteed	101.0 dB(A)
-----------------------------	-------------

#### Chassis

Turning radius	5,125.0 mm
Articulation angle	29.0 °
Traction drive	4WD hydrostatic
Hydraulic Pump	Axial piston pump
Operating pressure	450.0 bar

The illustrations, equipment and data shown may deviate from the current delivery program of your country. Optional equipment subject to additional charge may be shown. Subject to changes.

Flow rate

152.0 l/min

Tires

405/70-20

## Available engines

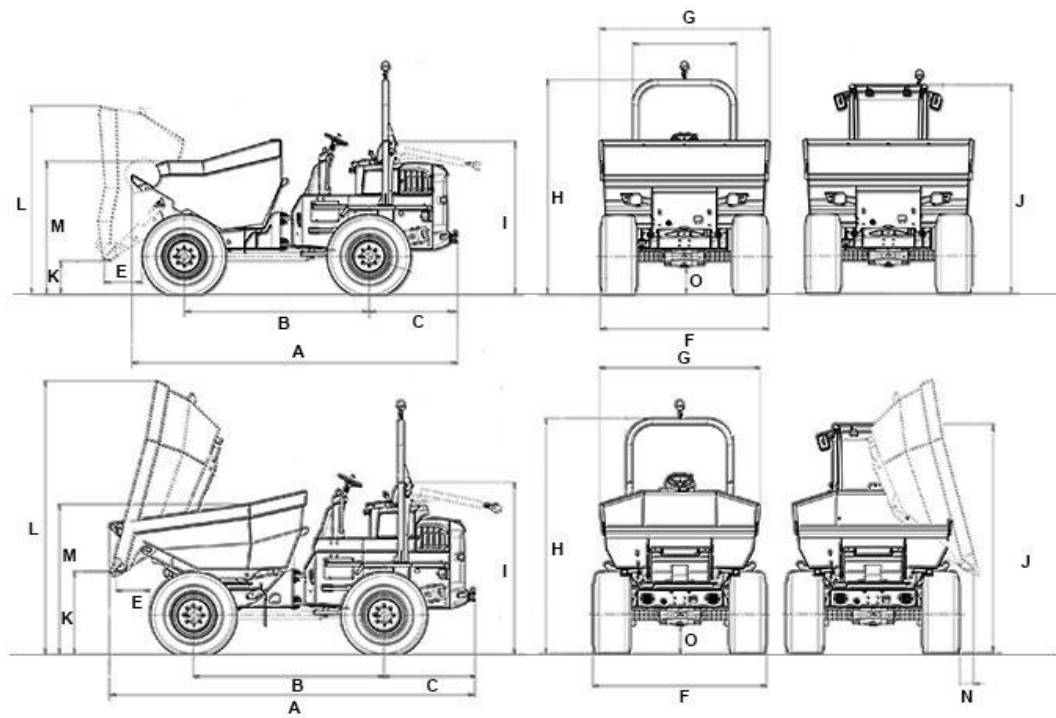
### 55,4 kW Diesel engine (Stage 5)

Cooling	Water-cooling
Engine type	Turbodieselengine air cooling
Cylinder	4
Cylinder capacity	2,925 cm <sup>3</sup>
Effective power	55.4 KW
Nominal Engine speed	2,300 1/min
Starter battery Voltage	12 µg/l
Engine Manufacturer	Deutz
Engine Designation	TD2.9 L4
Stroke	110 mlai
Bore	92 mlai

### 44,5 kW Diesel engine (Stage 5)

Cooling	Water-cooling
Engine type	Turbodieselengine
Cylinder	4
Cylinder capacity	2,200 cm <sup>3</sup>
Effective power	44.5 KW
Nominal Engine speed	2,300 1/min
Starter battery Voltage	12 µg/l
Engine Manufacturer	Deutz
Engine Designation	TD 2.2 L3

## Dimensions



A	Total length	4,554 mm
B	Wheel base	2,485 mm
C	Rear overhang	1,263 mm
E	Dumping width	565 mm
F	Width of vehicle	2,230 mm
G	Width of skip	2,328 mm
H	Height ROPS	3,240 mm
I	Height of ROPS tilted	2,591 mm
J	Height with cab	2,999 mm
K	Dumping height max.	384 mm
L	Skip height tilted	2,417 mm
M	Skip height	1,828 mm
O	Ground clearance	378 mm