

## KUBOTA MINI-EXCAVATOR K008-5 / U10-5



Engine output (PS):

**K008-5: 10.3**

**U10-5: 10.3**

Machine weight (kg):

**K008-5: 975**

**U10-5: 1,125**

## Standard equipment

Model	K008-5	U10-5
<b>Engine/Fuel system</b>		
Kubota original engine	●	●
Double-element air cleaner	●	●
Battery isolator	●	●
<b>Undercarriage</b>		
180 mm rubber track	●	●
Variable track	●	●
2-speed travel		●
Double flange track rollers (piece number on each track)	2 pcs	3 pcs
<b>Hydraulic system</b>		
Pressure accumulator		●
Hydraulic pressure checking ports	●	●
1st auxiliary circuit (AUX1) via foot pedal control	●	●
<b>Safety system</b>		
Engine start safety system	●	●
Kubota original anti-theft system	●	●
Hydraulic lock system		●
Operating lever lock	●	

Model	K008-5	U10-5
<b>Working equipment</b>		
1 LED working light on the boom	●	●
<b>Canopy</b>		
ROPS (Roll-over Protective Structure, ISO3471)	●	●
Retractable orange seatbelt with alert function	●	●
Hydraulic pilot control levers with wrist rests		●

## Optional equipment

Model	K008-5	U10-5
<b>Safety system</b>		
Travel alarm	●	●
<b>Others</b>		
AUX1 2-way circuit	●	●
Bio oil	●	●
Special paint	●	●
Beacon light	●	●

## Lifting capacity

### K008-5 kN (ton)

Lift Point	Lifting point radius (1 m)		Lifting point radius (2 m)		Lifting point radius (2.5 m)	
	Over-front	Over-side	Over-front	Over-side	Over-front	Over-side
Height	Blade Down	Blade Up	Blade Down	Blade Up	Blade Down	Blade Up
2.0 m	-	-	1.9 (0.20)	1.5 (0.15)	1.2 (0.13)	-
1.0 m	-	-	2.0 (0.21)	1.5 (0.15)	1.2 (0.12)	1.7 (0.17)
0 m	6.0 (0.61)	3.8 (0.39)	2.9 (0.29)	2.2 (0.23)	1.3 (0.14)	1.1 (0.11)
-1.0 m	3.6 (0.37)	3.6 (0.37)	2.9 (0.30)	1.3 (0.13)	1.3 (0.13)	1.0 (0.10)

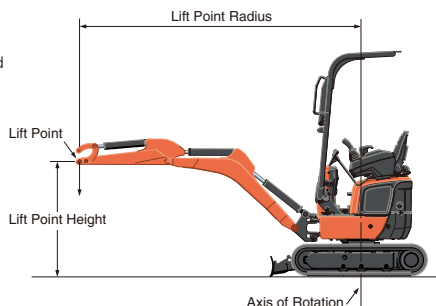
### U10-5 kN (ton)

Lift Point	Lifting point radius (1.5 m)		Lifting point radius (2 m)		Lifting point radius (max.)	
	Over-front	Over-side	Over-front	Over-side	Over-front	Over-side
Height	Blade Down	Blade Up	Blade Down	Blade Up	Blade Down	Blade Up
2.0 m	-	-	1.8 (0.18)	1.8 (0.18)	1.6 (0.16)	-
1.0 m	3.1 (0.31)	2.8 (0.28)	2.3 (0.24)	2.3 (0.24)	1.8 (0.18)	1.5 (0.15)
0.5 m	4.4 (0.45)	2.5 (0.26)	2.1 (0.21)	2.7 (0.27)	1.7 (0.17)	1.4 (0.14)
0 m	4.1 (0.42)	2.4 (0.24)	2.0 (0.20)	2.6 (0.27)	1.6 (0.16)	1.3 (0.14)
-1.0 m	2.6 (0.26)	2.4 (0.24)	2.0 (0.20)	1.7 (0.18)	1.6 (0.16)	1.3 (0.13)

Please note:

\* The lifting capacities are based on ISO 10567 and do not exceed 75% of the static tilt load of the machine or 87% of the hydraulic lifting capacity of the machine.

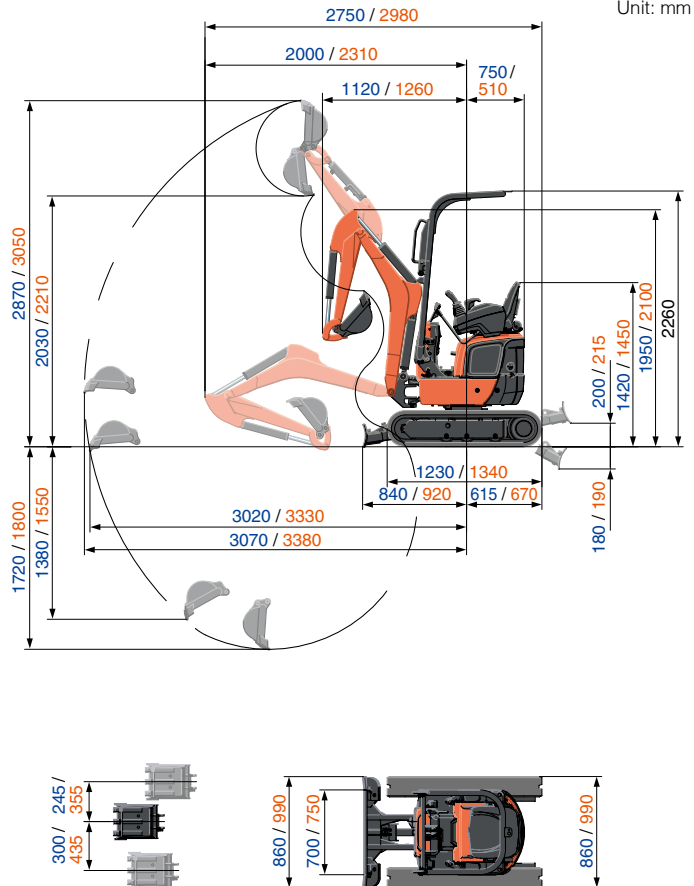
\* The excavator bucket, hook, sling and other lifting accessories are not included on this table.



## Working range

### K008-5 / U10-5

Unit: mm



\* Working ranges are with Kubota original bucket, without quick coupler.

\*Specifications are subject to change without notice for purpose of improvement.

# Specifications

<b>Model</b>		K008-5	U10-5
<b>Operating weight**1</b>	kg	1050	1200
<b>Bucket capacity std. SAE/CECE</b>	m <sup>3</sup>	0.022 / 0.018	0.024 / 0.020
<b>Bucket width (with side teeth / without side teeth)</b>	mm	368 / 350	398 / 380
<b>Engine</b>			
Model		D722-E4-BH-4	D722-E4-BH-5
Type		Water-cooled diesel engine E-TVCS	
Output ISO 14396 NET	PS/rpm	10.3 / 2050	10.3 / 2050
	kW/rpm	7.6 / 2050	7.6 / 2050
Number of cylinder		3	3
Bore × Stroke	mm	67 × 68	67 × 68
Displacement	cc	719	719
<b>Dimensions</b>			
Overall length	mm	2750	2980
Overall height	mm	2260	2260
Swivelling speed	rpm	8.3	8.3
Rubber shoe width	mm	180	180
Tumbler distance	mm	900	1010
Dozer size (width × height)	mm	700 / 860 × 200	750 / 990 × 200
<b>Hydraulic pumps</b>			
P1, P2		Gear pump	Gear pump
Flow rate	ℓ/min	10.5 + 10.5	10.5 + 10.5
Hydraulic pressure	MPa (kgf / cm <sup>2</sup> )	16.2 (165)	17.2 (175)
P3		–	Gear pump
Flow rate	ℓ/min	–	3.1
Hydraulic pressure	MPa (kgf / cm <sup>2</sup> )	–	3.9 (40)
<b>Max. digging force (arm / bucket)</b>	kN (kgf)	4.5 (460) / 9.8 (1000)	5.4 (550) / 10.4 (1060)
<b>Boom swing angle (left / right)</b>	deg.	55 / 55	55 / 55
<b>Auxiliary circuit</b>			
Flow rate	ℓ/min	21	21
Hydraulic pressure	MPa (kgf / cm <sup>2</sup> )	16.2 (165)	17.2 (175)
<b>Hydraulic reservoir</b>	ℓ	13.5	12.6
<b>Fuel tank capacity</b>	ℓ	12	12
<b>Max. travelling speed (low / high)</b>	km/h	2	2 / 4
<b>Ground contact pressure</b>	kPa (kgf / cm <sup>2</sup> )	28.1 (0.28)	29.0 (0.30)
<b>Ground clearance</b>	mm	150	140
<b>Noise level</b>			
LpA / LwA (2000/14/EC)	dB (A)	76 / 90	77 / 90
<b>Vibration**2</b>			
<b>Hand arm system (ISO 5349-1:2001)</b>			
Digging / Levelling	m/s <sup>2</sup> RMS	<2.5 / <2.5	<2.5 / <2.5
Driving / Idling	m/s <sup>2</sup> RMS	<2.5 / <2.5	5.93 / <2.5
<b>Whole body (ISO 2631-1:1997)</b>			
Digging / Levelling	m/s <sup>2</sup> RMS	<0.5 / <0.5	<0.5 / <0.5
Driving / Idling	m/s <sup>2</sup> RMS	1.15 / <0.5	2.32 / <0.5

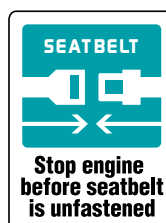
\*1 With standard bucket ready for operation. Machine weight includes 75 kg operator.

\*2 These values are measured under specific conditions at maximum engine speed and can deviate, depending on the operating status.



## KUBOTA EUROPE S.A.S.

19, rue Jules Verceyryse  
 Zone Industrielle - CS50088  
 95101 Argenteuil Cedex France  
 Téléphone : (33) 01 34 26 34 34  
 Télécopieur : (33) 01 34 26 34 99



## Kubota Genuine and Approved Parts

for maximum performance, durability and safety



<https://www.kubota-eu.com>