

### Weights

|   |           |
|---|-----------|
| Operating weight with TOPS canopy and bucket (ISO 6016) | 1176 kg   |
| Transport mass (no attachment)                          | 1077 kg   |
| Ground pressure with rubber tracks                      | 29.70 kPa |

### Engine

|                                      |                             |
|--------------------------------------|-----------------------------|
| Make / model                         | Kubota / D722-E4B (Stage V) |
| Fuel                                 | Diesel                      |
| Number of cylinders                  | 3                           |
| Displacement                         | 719 cm <sup>3</sup>         |
| Maximum power @ 2000 rpm (ISO 14396) | 7.5 kW                      |
| Maximum torque (SAE)                 | 40.1 Nm                     |

### Hydraulic System

|                          |                  |
|--------------------------|------------------|
| Pump type                | Double gear pump |
| Total hydraulic capacity | 20.00 L/min      |
| Auxiliary flow           | 20.00 L/min      |
| Auxiliary relief         | 190.0 bar        |

### Performance

|                                       |          |
|---------------------------------------|----------|
| Digging force, dipperstick (ISO 6015) | 5550 N   |
| Digging force, bucket (ISO 6015)      | 8294 N   |
| Drawbar pull                          | 9905 N   |
| Travel speed, low range               | 2.1 km/h |
| Travel speed, high range              | 3.1 km/h |

### Slew System

|                   |         |
|-------------------|---------|
| Boom swing, left  | 67.0°   |
| Boom swing, right | 64.0°   |
| Slew rate         | 9.0 RPM |

### Fluid Capacities

|                     |         |
|---------------------|---------|
| Fuel reservoir      | 16.00 L |
| Hydraulic reservoir | 2.60 L  |

### Environmental

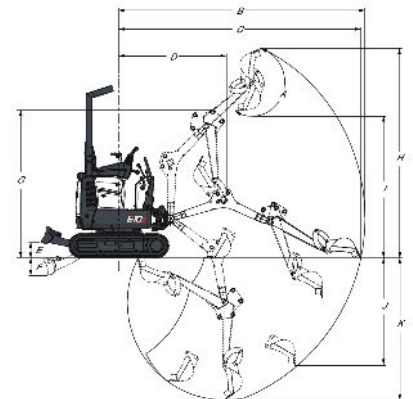
|  |          |
|--|----------|
| Noise level LpA(EU Directive 2006/42/EC) | 80 dB(A) |
| Noise level LWA(EU Directive 2000/14/EC) | 93 dB(A) |

### Standard Features

|  |  |
|--|--|
| 710 mm dozer blade / 1100 mm extended                      | Seat   |
| 180 mm rubber track  | Two-speed travel   |
| Auxiliary hydraulics on boom with quick couplers           | TOPS canopy <sup>1</sup>                                 |
| Control console locks                                      | Vandalism protection                                     |
| Horn   | Water separator  |
| Electronically activated track expansion                   | Work light   |
| Hydraulically expandible undercarriage from 710 to 1100 mm | Warranty: 24 months, 2000 hours (whichever occurs first) |
| Retractable seat belt                                      |  |

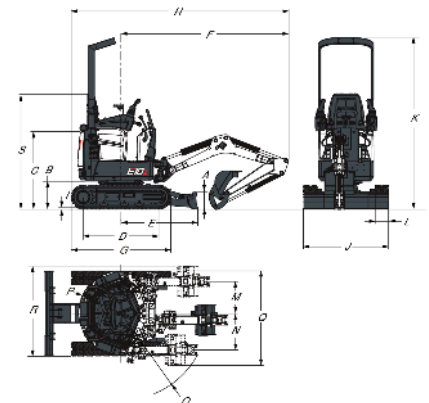
1. Tip Over Protective Structure (TOPS) – Meets requirements of ISO 12117

### Working Range



|     |           |     |           |
|-----|-----------|-----|-----------|
| (A) | 196.0°    | (G) | 1899.0 mm |
| (B) | 3145.0 mm | (H) | 2685.0 mm |
| (C) | 3093.0 mm | (I) | 1818.0 mm |
| (D) | 1374.0 mm | (J) | 1383.0 mm |
| (E) | 196.0 mm  | (K) | 1820.0 mm |
| (F) | 230.0 mm  |     |           |

### Dimensions



|     |           |     |           |
|-----|-----------|-----|-----------|
| (A) | 220.0 mm  | (J) | 710.0 mm  |
| (B) | 363.0 mm  | (K) | 1100.0 mm |
| (C) | 992.0 mm  | (L) | 2209.0 mm |
| (D) | 968.0 mm  | (M) | 180.0 mm  |
| (E) | 987.0 mm  | (N) | 413.0 mm  |
| (F) | 2153.0 mm | (O) | 471.0 mm  |
| (G) | 1280.0 mm | (P) | 1121.0 mm |
| (H) | 2793.0 mm | (Q) | 550.0 mm  |
| (I) | 16.0 mm   | (R) | 1490.0 mm |
|     |           | (S) |           |

### Options

|  |                            |
|--|----------------------------|
| Auxiliary double action  | Keyless ignition           |
| Auxiliary on arm   | LED light                  |
| Beacon   | Object handling device     |
| Demolition package (arm, bucket cylinder covers & HD travel hoses guard) | (lifeye)                   |
| Hydraulic oil cooler   | Spark arrester muffler kit |
|  | Travel motion alarm        |