



TH412

Telehandlers



Tough challenges are its specialty.

It's impressive how much power there is packed in the TH412 compact telehandler. The TH412 Wacker Neuson telehandler is unique in its combination of high lifting height, lean width and strong machine performance. A true multi-talent for works in municipalities, factories, building yards and at construction sites.

- Equipped with the innovative VLS driver assist system (Vertical Lift System).
- Extremely small inside radius of 821 mm.
- Enormous lifting height of 4.5 m in combination with a payload of 1.2 t.
- Efficient 31 PS Yanmar engine—optional 40 PS available.
- Hydraulic quick change system for a great assortment of attachments.



Technical specifications

Operating data

Weight	2,530 kg
Turning radius Tires	2,607 mm
Total rotation angle of the tool carrier	148 °

Engine / Motor

Engine / Motor manufacturer	Yanmar
Engine performance at 3,000 rpm	22.6 kW
Engine performance at 2,800 rpm	29.6 kW

Power transmission

Traction drive	Hydrostatic
Speed Stage 1:	0-7 km/h
Speed Stage 2:	0-20 km/h
Service brake central	Parking brake on all four wheels effective
Standard tires	10.0/75 - 15.3 AS ET-40

Steering and operating hydraulics

Steering angle max.	2 x 38 °
Flow rate (with 22.6 kW)	42 l/min
Flow rate (with 29.6 kW)	40 l/min

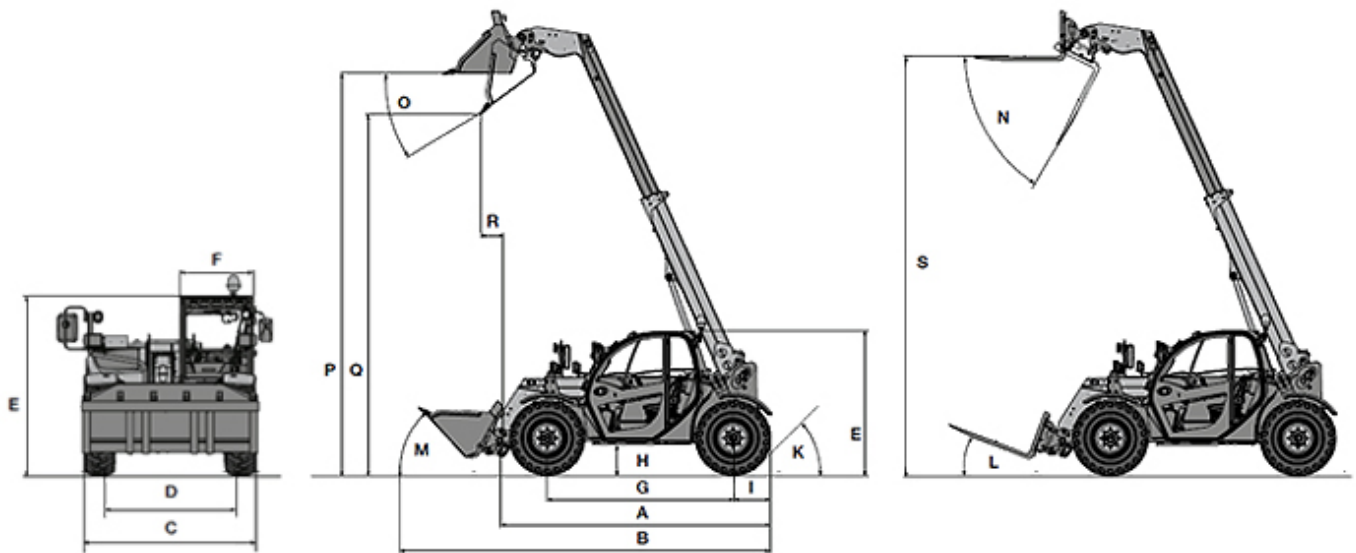
Kinematics

Payload max.	1,200 kg
Lift height Pin height	4,503 mm
Payload at max. lift height	1,200 kg
Payload at max. span	440 kg

Standard bucket = digging bucket, 1,500 mm width



Dimensions



A	Length incl. tool frame mm	2,916
B	Length with standard bucket mm	3,879
C	Width max. mm	1,560
D	Track width mm	1,296
E	Height mm	1,940
F	Width cabin (inner) mm	662
G	Wheelbase mm	1,920
H	Ground clearance mm	290
I	Center of rear axle to end of vehicle mm	391
K	Rear actuation angle °	32
L	Tilt-in angle Pallet fork below °	8
M	Tilt-in angle Standard bucket below °	44
N	Tip-out angle Pallet fork above °	70



O	Tip-out angle Standard bucket above °	31
P	Overhead loading height mm	4,125
Q	Dumping height mm	3,590
R	Dump reach mm	543
S	Stack height mm	4,300

Please note

that product availability can vary from country to country. It is possible that information / products may not be available in your country. More detailed information on engine power can be found in the operator's manual; the stated power may vary due to specific operating conditions. Subject to alterations and errors excepted. Applicable also to illustrations.
Copyright © 2015 Wacker Neuson SE.