

Load carriers

Wacker Neuson All-Wheel Dumpers
9001 • 10001+



**WACKER
NEUSON**

**Powerful, compact and
excellent off-road capability.**
Payloads from 9 to 10 t.



10001+ 9001

Wacker Neuson factors:

- Low-maintenance hydrodynamic all-wheel drive.
- Supreme off-road capability thanks to a centre-pivot angle of up to 33°/8.5°.
- Extreme gradeability of up to 50 %.
- Powerful engine with high torque and particularly silent running.
- High ground clearance.
- Speeds of up to 27 kph (17 mph) for rapid transport tasks.
- Generous service and maintenance access via pivoting one-piece engine hatch.
- Articulated frame steering with integrated hose guide for optimal protection.
- High-visibility driving position with broad and robust leg protection.
- Collapsible ROPS roll-bar as standard.
- Easy mounting and alighting from either side.
- High-strength steel construction – robust and resistant.
- High-volume, robust and hard-wearing skip design.
- Up to 4850 l skip capacity.
- Available ex-works with cab (option).

Payload 9000 kg: The Wacker Neuson All-wheel dumper 9001.

- 1 High ground clearance in association with the hydrodynamic all-wheel drive and centre-pivot steering makes for excellent off-road capability.
- 2 Generous maintenance and servicing access. The one-piece engine hatch can be opened wide, so offering unrestricted access to the engine space.
- 3 Centre-pivot steering. The split chassis and centre-pivot steering angle of $33^\circ / 8.5^\circ$ guarantee permanent ground contact and optimal traction even on difficult terrain.

- 4 Collapsible ROPS roll-bar. Not only does this guarantee driver safety, it also enables passages with low headroom to be negotiated with ease.
- 5 Integrated hose guide. The pipes are run through the articulated joint and thus protected from damage.
- 6 Driving position. The high-visibility and robust driving position spans the entire width of the chassis and thus protects the driver from falling material.
- 7 Front-tipping skip. The highest-capacity skip has a very low centre of gravity, making it ideal for transporting different types of materials.



Top-class: unbeatable productivity.

Unbelievable just how much it can shift in such a short time. The 9001 is a load carrier that sets new standards. With its hydrodynamic all-wheel drive, excellent off-road capability and extreme gradeability it has carved its path to the accolade of top performer in its class. Day in, day out. Whatever the conditions.



4700 l*
SKIP CONTENT
*heaped

Wacker Neuson factors:

- Low-maintenance hydrodynamic all-wheel drive.
- Supreme off-road capability thanks to a centre-pivot angle of up to 33° / 8.5°.
- Extreme gradeability of up to 50 %.
- Speeds of up to 27 kph (17 mph) for rapid transport tasks.
- Maximum payload of 9000 kg.
- Generous servicing and maintenance access through pivoting one-piece engine hatch.
- Available ex-works with cab (option).



8 Supreme off-road capability thanks to its powerful engine, all-wheel drive, articulated frame steering and high ground clearance.

Hydrodynamic all-wheel drive. The drive train passes via a torque converter which transfers the power to the wheels via the gear ratio preselected by the driver.

- Reduced load on the powertrain and increased driver comfort.
- Better control of the vehicle during difficult driving manoeuvres.
- The easy handling of the 4-gear power-shuttle drive allows the driver to adapt his travel speed to the terrain conditions.



Nonstop-Dumper: Weather-independent thanks to comfort cab.

AVAILABLE
EX-WORKS
WITH CAB*

*Option



- 1 A full-fledged safety cab that really merits the name. ROPS / FOPS Level II-certified, heatable, stable, and roomy. Only from Wacker Neuson.
- 2 High-visibility, neatly appointed and with lots of head and leg room. The large window panes ensure optimal all-round vision.
- 3 Two wide-opening doors for safe and comfortable mounting and alighting. A big plus-point for getting around in your day-to-day work.



Year-round productivity with no ifs or buts.

New design contours, even more functionality and perfect ergonomics: all under a (solid) roof. The fully-equipped cab offers greater comfort, security and versatility. A productivity-plus at an unbeatable price. Ex-works.

4 Servicing access via a seat base that can be removed by releasing just four screws. Simple, practical and well-designed.

5 Lockable maintenance access on both sides of the dumper. This keeps the daily checks down to a few simple operations, that quickly become routine.



Wacker Neuson factors:

- ROPS/FOPS Level II safety cab.
- Large side & rear windows for optimal all-round vision.
- Cab heating.
- Two doors.
- Lockable, practical maintenance access.
- Internal storage and tool compartments.
- Drinks holder.
- CD-Radio unit.
- Plug connection for dome light.
- Rearview mirror set*.
- Protective grille* for windscreen.

*Option

cabspace



Payload 10000 kg: The Wacker Neuson All-Wheel Dumper 10001.

Wacker Neuson factors:

- Low-maintenance hydrodynamic all-wheel drive.
- Powerful engine with high torque and particularly silent running.
- Supreme off-road capability thanks to a centre-pivot angle of up to 33° / 8.5°.
- Extreme gradeability of up to 50 %.
- Speeds of up to 27 kph (17 mph) for rapid transport tasks.
- Maximum payload of 10000 kg.
- Generous servicing and maintenance access through pivoting one-piece engine hatch.
- Available ex-works with cab (option).

Transporting a metric ton of material in just one skip. Any time, any place, anywhere.

Quickly bringing enormous volumes to the target location in the shortest of time and by the directest of routes, thereby keeping the process chain on track: reliable logistics performance is a key driver of efficiency and workflow.

The 10001 is not only an enormous everyday aid, it also contributes significantly to saving time and money.



10001+



1 High ground clearance in association with the hydrodynamic all-wheel drive and centre-pivot steering makes for excellent off-road capability.

2 Generous maintenance and servicing access. The one-piece engine hatch can be opened wide, so offering unrestricted access to the engine space.

3 Centre-pivot steering. The split chassis with a centre-pivot steering angle of 33° / 8.5° guarantees permanent ground contact and optimal traction even on difficult terrain.

4 Collapsible ROPS roll-bar. Not only does this guarantee driver safety, it also enables passages with low headroom to be negotiated with ease.

5 Integrated hose guide. The pipes are run through the articulated joint and thus protected from damage.

6 Driving position. The high-visibility and robust driving position spans the entire width of the chassis and thus protects the driver from falling material.



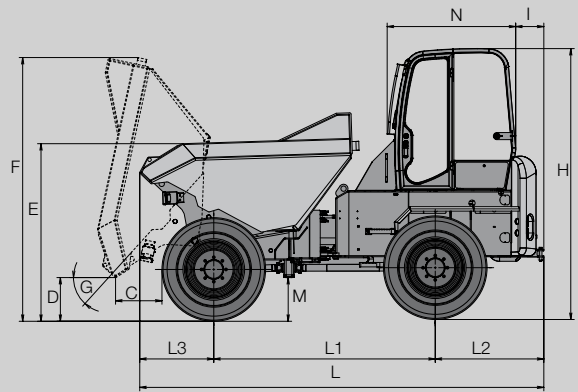
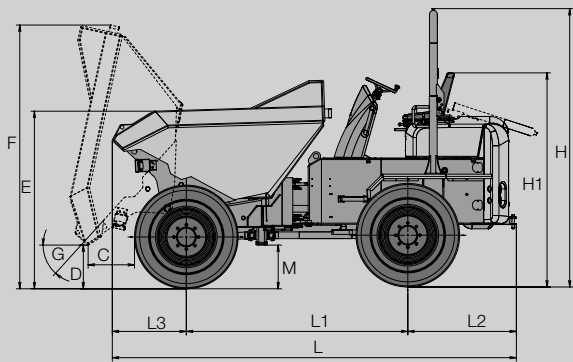
7 Front-tipping skip. The highest-capacity skip has a very low centre of gravity, making it ideal for transporting different types of materials.

Hydrodynamic all-wheel drive. The drive train passes via a torque converter which transfers the power to the wheels via the gear ratio preselected by the driver.

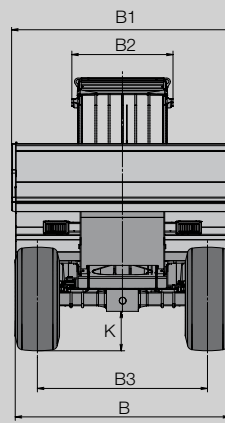
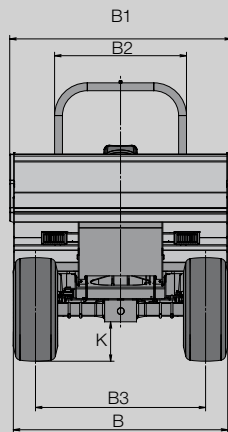
- Reduced load on the powertrain and increased driver comfort.
- Better control of the vehicle during difficult driving manoeuvres.
- The easy handling of the 4-gear power-shuttle drive allows the driver to adapt his travel speed to the terrain conditions.

4850 l*
SKIP CONTENT
*heaped,
Standard skip





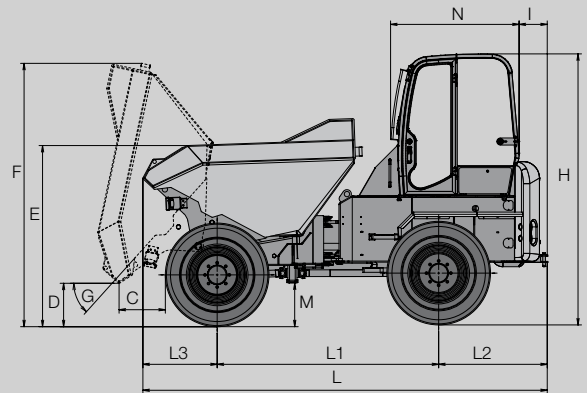
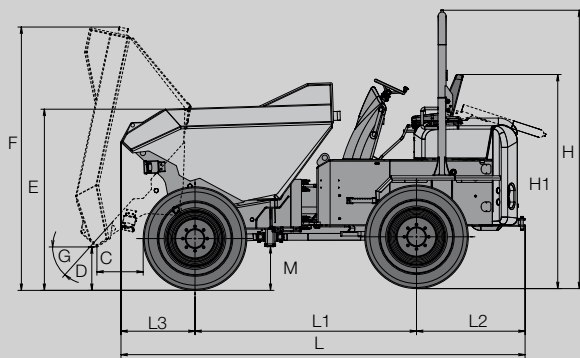
9001



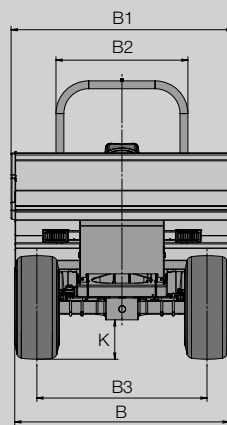
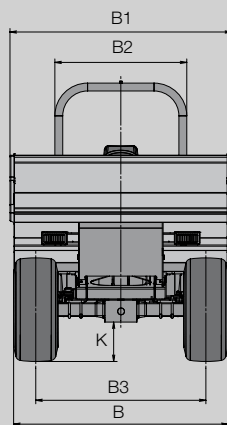
9001 cab

DIMENSIONS

	9001	9001 (cab)
B	2,420 mm	2,420 mm
B1 / B2 / B3	2,500 / 1,490 / 1,920 mm	2,500 / 1,140 / 1,920 mm
C	510 mm	510 mm
D	480 mm	480 mm
E	2,000 mm	2,000 mm
F	2,970 mm	2,970 mm
G	48°	48°
H	3,140 mm	3,070 mm
H1	2,360 mm	-
I	-	320 mm
K	430 mm	430 mm
L	4,560 mm	4,560 mm
L1 / L2 / L3	2,500 / 1,225 / 835 mm	2,500 / 1,225 / 835 mm
M	470 mm	470 mm
N	-	1,450 mm




10001+




10001+ cab


DIMENSIONS


	10001+	10001+ (cab)
B	2,420 mm	2,420 mm
B1 / B2 / B3	2500 / 1490 / 1920 mm	2,500 / 1,140 / 1,920 mm
C	510 mm	510 mm
D	480 mm	480 mm
E	2,040 mm	2,040 mm
F	2,970 mm	2,970 mm
G	48°	48°
H	3,140 mm	3,070 mm
H1	2,360 mm	-
I	-	320 mm
K	430 mm	430 mm
L	4,560 mm	4,560 mm
L1 / L2 / L3	2,500 / 1,225 / 835 mm	2,500 / 1,225 / 8,35 mm
M	-	470 mm
N	-	1,450 mm

 OPERATIONAL DATA	9001	9001 (cab)	10001+	10001+ (cab)
Payload	9,000 kg	9,000 kg	10,010 kg	10,010 kg
Tare weight	4,800 kg	4,910 kg	4,800 kg	4,910 kg
Skip capacity levelled	3,850 l	3,850 l	4,000 l	4,000 l
Skip capacity heaped	4,700 l	4,700 l	4,850 l	4,850 l
Skip capacity Water levelling	2,250 l	2,250 l	2,250 l	2,250 l


 ENGINE				
Make/Type	Deutz TCD 2012 Turbo	Deutz TCD 2012 Turbo	Deutz TCD 2012 Turbo	Deutz TCD 2012 Turbo
Model	watercooled 4-cylinder turbo engine	watercooled 4-cylinder turbo engine	watercooled 4-cylinder turbo engine	watercooled 4-cylinder turbo engine
Power (Iso 3046/1)	88 kW (120 hp)	88 kW (120 hp)	88 kW (120 hp)	88 kW (120 hp)
Displacement	4,038 cm ³	4,038 cm ³	4,038 cm ³	4,038 cm ³
Operating speed	2,400 min ⁻¹	2,400 min ⁻¹	2,400 min ⁻¹	2,400 min ⁻¹
Exhaust emissions	ac. 97/68/EC, 3A	ac. 97/68/EC, 3A	ac. 97/68/EC, 3A	ac. 97/68/EC, 3A


 DRIVE CHARACTERISTICS				
Travel speed I / II / III / IV	0-4.5 / 0-7.0 / 0-14 / 0-27 kph			
Centre-pivot angle	+/- 33°	+/- 33°	+/- 33°	+/- 33°
Oscillation	+/- 8.5°	+/- 8.5°	+/- 8.5°	+/- 8.5°
External turning radius	6,000 mm	6,000 mm	6,000 mm	6,000 mm
Gradeability	50 %	50 %	50 %	50 %

 DRIVE				
Drive	4-speed powershuttle torque converter, all-wheel drive, electr. drive direction selection			
Steering	hydrostatic articulated frame steering			
Tyres	500/60-22.5 Tractor profile	500/60-22.5 Tractor profile	500/60-22.5 Tractor profile	500/60-22.5 Tractor profile
Service brake	Multi-disc brakes on both axles, hydraulically operated via footpedal			
Parking brake	via disc brake on driveshaft for front and rear axles			

 HYDRAULIC SYSTEM				
Drive pump	Gear pump	Gear pump	Gear pump	Gear pump
Flow rate	55 l/min	55 l/min	55 l/min	55 l/min
Operating pressure	220 bar	220 bar	220 bar	220 bar

 TANK CAPACITY				
Diesel tank	70 l	70 l	70 l	70 l
Hydraulic oil tank	50 l	50 l	50 l	50 l

 ELECTRICS				
Voltage	12 V	12 V	12 V	12 V
Battery	100 Ah	100 Ah	100 Ah	100 Ah
Alternator	95 A	95 A	90 A	90 A
Starter	3 kW	3 kW	3 kW	3 kW

 NOISE EMISSIONS				
Noise level (L_{wa}) (as per 2,000/14/EC)	103 dB(A)	103 dB(A)	103 dB(A)	103 dB(A)

STANDARD EQUIPMENT**9001 • 10001+****OPTIONS****9001 • 10001+****GENERAL****Hydraulic front-tipping skip****9001** 3,850 l levelled / 4,700 l heaped**10001+** 4,000 l levelled / 4,850 l heaped**Roll-bar (ROPS)****Speed:** 27 kph (17 mph)**ENGINE****Deutz TCD 2012 watercooled turbo diesel engine****HYDRAULICS****Permanent all-wheel drive****4-speed powershuttle drive, torque converter****Gear pump****Hydrodynamic drive**

with multi-disc brakes on both axles

Hydrostatic articulated frame steering (Load sensing)**CAB****Glazed safety cab** ROPS / FOPS Level II**Cab heating****Windscreen wiper/washing system****Lockable maintenance access****Two doors****Internal storage and tool compartments****CD-radio unit****Drinks holder****PAINT****Special paint 1 RAL**

(for yellow parts only)

Special paint 1 no RAL

(for yellow parts only)

MISCELLANEOUS**Panolin Bio-Oil****BP-Biohyd SE46****Security 24 (1,500 h)**Warranty extension to 24 months
or 1,500 operating hours**Security 24 (2,000 h)**Warranty extension to 24 months
or 2,000 operating hours**Light** (On-road accessory)**Wheel chock****Cover for dashboard****Trailer socket****Flashing beacon****Reverse alarm****Spare wheel****PACKS****Mirror package**

Left-side/right-side mirrors

Compact construction machinery from Wacker Neuson offers power and manoeuvrability on-the-spot: **Any time, any place.**

We consider it a constant duty to ensure that our pledge regarding our products and services is fulfilled:

Reliability, Trust, Quality, Reactivity, Flexibility and Innovation.

Compact equipment branded Wacker Neuson also does the business where others can only stand and watch. Our products prove their worth through quality, power, intelligent hydraulics, compact dimensions, innovative technology, high productivity and reliability. A setup such as only Wacker Neuson – as the Compact Equipment specialist – is capable of.

You too can take advantage of this bespoke capability. The Wacker Neuson compact class is in a class of its own. With success stamped right through the line.



**WACKER
NEUSON**