

3 Technical Data

3.1 Dimensions

(1) 9MDX Forward Tip Skip

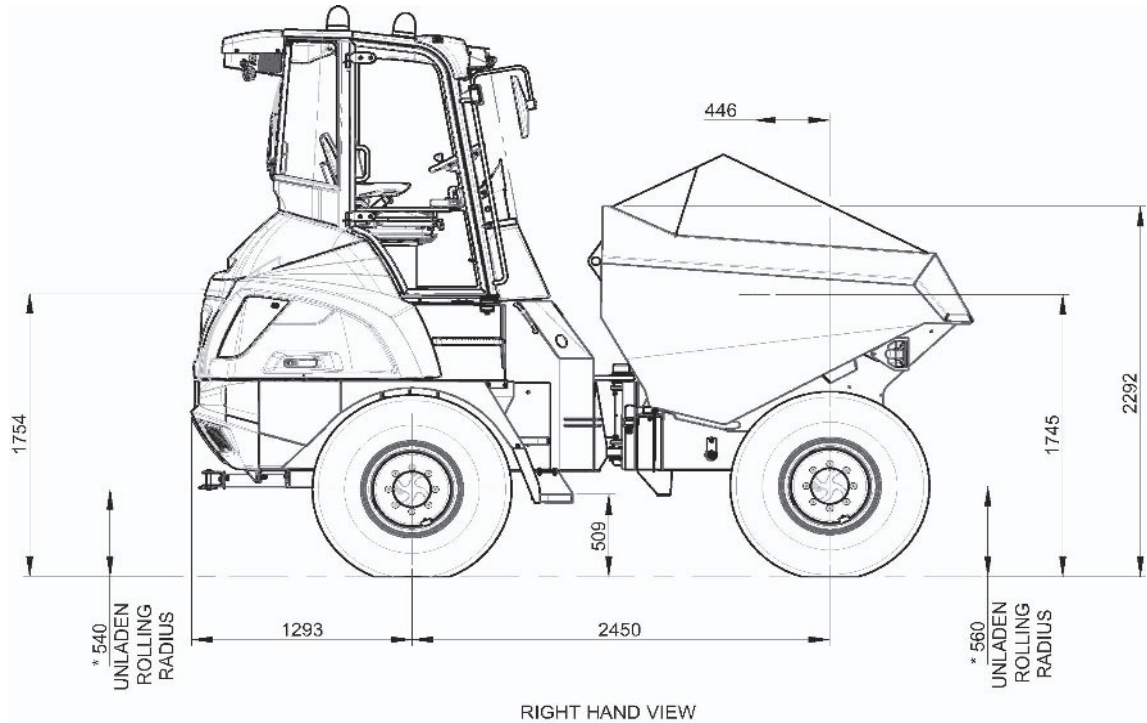
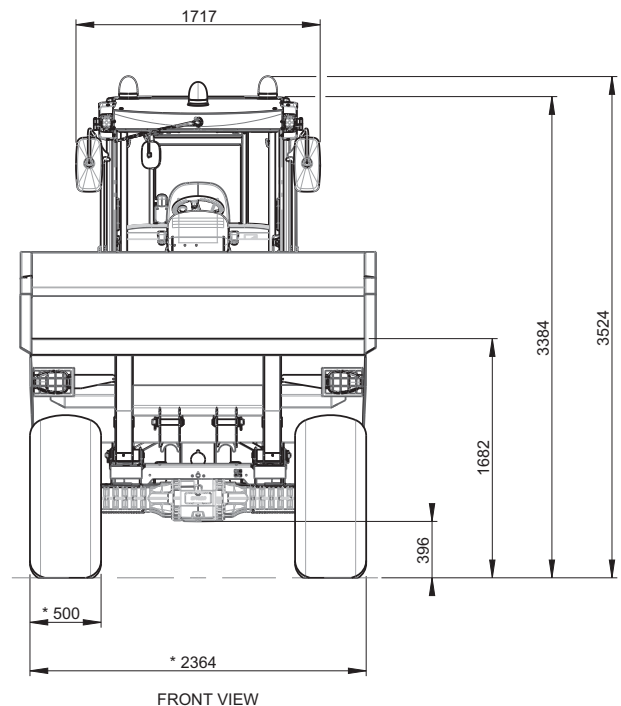
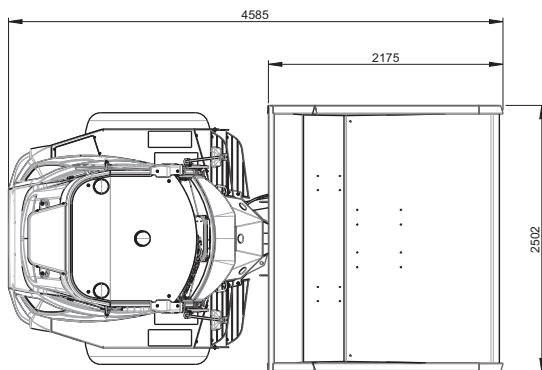


Figure 3.1 - Dimensions

Table 3.1 - Dimensions

Dimensions mm (in)			
Model	Overall Width	Overall Height	Overall Length
9MDX Forward Tip	2502 (98.5)	3524 (138.7)	4585 (180.5)



3.2 Dimensions

(1) 9MDX Swing Skip

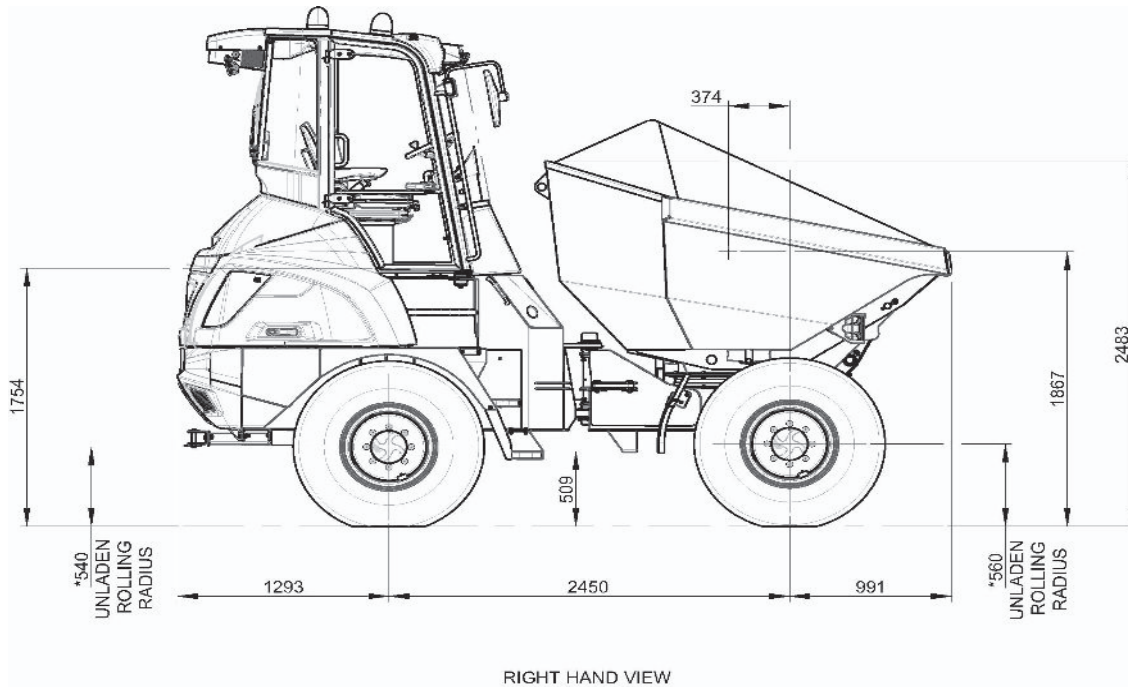
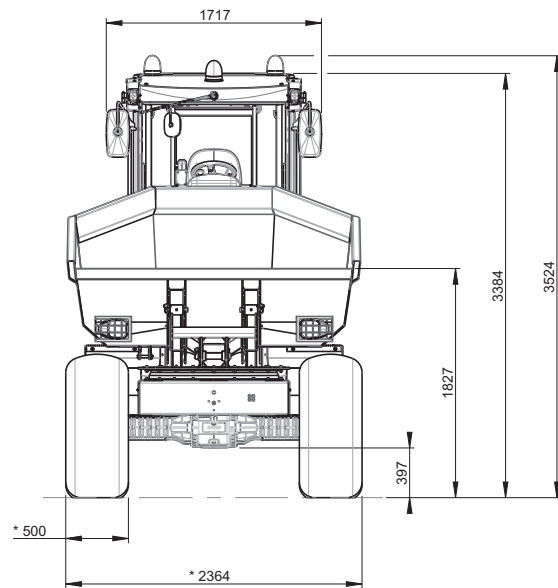
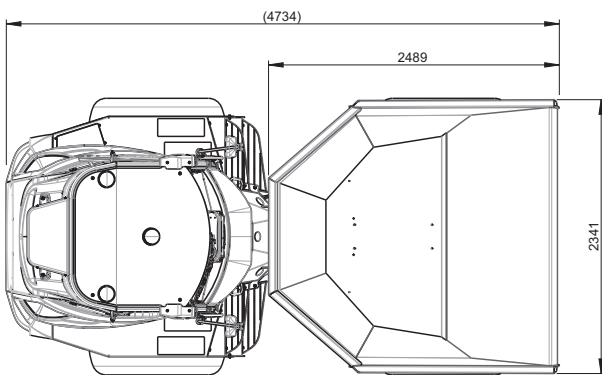


Figure 3.2 - Dimensions

Table 3.2 - Dimensions

Dimensions mm (in)			
Model	Overall Width	Overall Height	Overall Length
9MDX Swing Skip	2341 (92.2)	3524 (138.7)	4734 (186.4)



3.3 Turning Circle

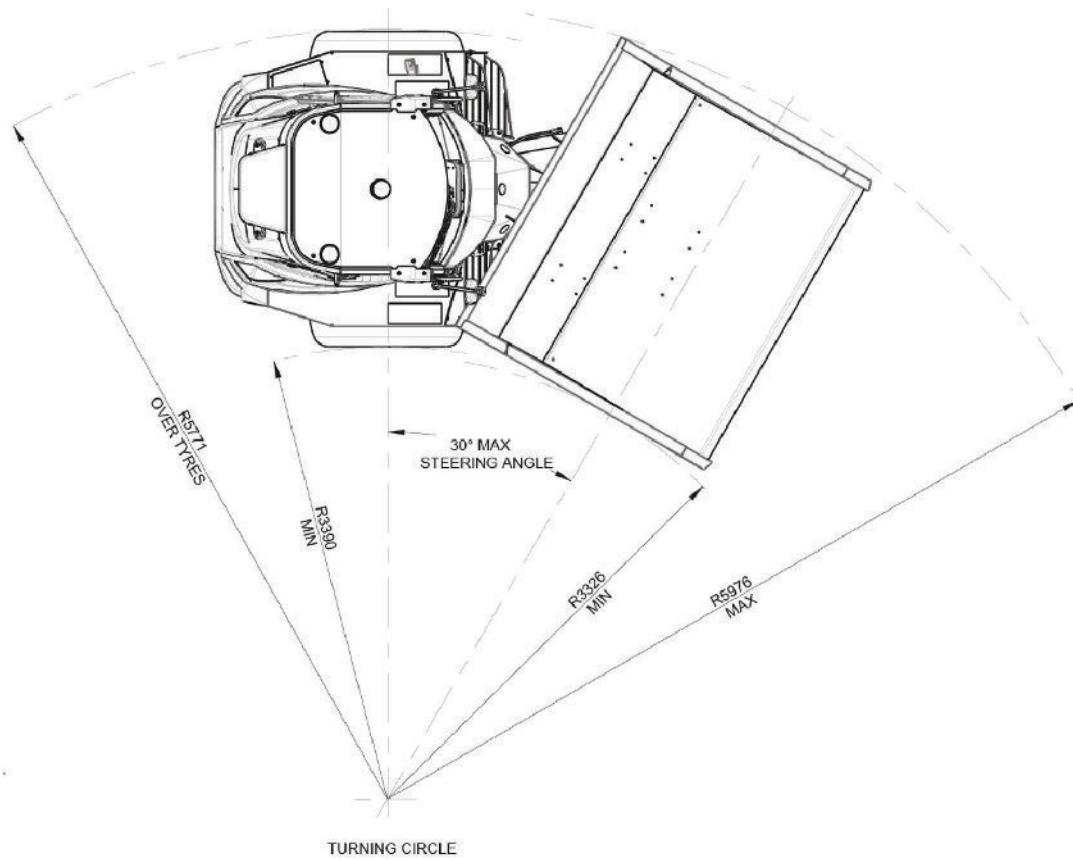


Figure 3.3 - Turning Circle

Table 3.3 - Turning Circle

Turning Circle Radius - mm (in)		
	9MDX Forward skip	9MDX Swing skip
A	5976mm (235.3)	5821 (229.2)

3.4 Data

Table 3.4 - Data

Data		
9MDX Forward and Swing Tip Dumpers		
Engine		
Manufacturer/Model	Perkins Tier 4 Interim	
Capacity	3387 cc	
Gross Power	55kW at 2200 rpm	
Maximum Torque	424Nm	
Aspiration	Turbocharged and charge air cooled	
Cooling System Capacity	24 Litres (36.3 US Gal.)	
Gearbox		
Manufacture/Model	ITL SS620	
Type	Synchro-Shuttle	
Gears	4 Forward/4 Reverse, Permanent 4WD	
Transfer Box		
Manufacturer/Model	ITL	
Type	T6300/T6310	
Oil Capacity	0.9 Litres (3.4 US Gal)	
Front & Rear Axles		
Manufacturer/Model	DANA	
Type	Rigid Drive Axle Type112	
Oil Capacity - Axle	7.0 Litres (1.85 US Gal.)	
Oil Capacity - Hubs	2.7 Litres (0.71 US Gal.)	
Auxiliary Hydraulics		
Manufacturer/Model	Casappa - Gear pump	
Capacity	26.4 cm3/rev	
Flow rate (l/min)	65L max.	
Max. working pressure (bar)	210	
Fuel System		
Type	Diesel	
Specification	EN590 - Auto/C0/C1//C2/C3/C4	
Tank Capacity	65.0Litres (17.1 US Gal)	

Table 3.4 - Data (Continued)

Data		
	9MDX Forward and Swing Tip Dumpers	
Electrical System		
Type	12V Negative Earth	
Alternator	Belt Driven	
Output	95 Amps	
Battery	Varta Silver 830 - 100Ah	
Braking System		
Primary	Foot brake oil immersed discs	
Parking	Over centre parking brake - dry disc on gearbox	
Brake Reservoir	1.2 Litres (0.31 US Gallons)	
Wheels & Tyres		
Manufacturer	Starco/MP Dumper	
Tyre Size	AS 405/70 20IMP	
Pressure - Front	3.8 bar (55 psi)	
Pressure - Rear	2.2 bar (32 psi)	
Wheel Nut Torque	630Nm (465 ft/lbs)	
Steering System		
Manufacturer/Model	Sauer Danfloss OSPB	
Max working pressure	280 bar	
Capacity	315 cc/rev	
Skip Capacity		
	9MDX Forward Tip	9MDX Swing Skip
Maximum Safe Payload	9000 kg (19,800 lbs)	9000 kg (19,800 lbs)
Water - Level	2014 l (4430.8 lb)	1902 l (4184.4 lb)
Struck Level	3775 l (8305 lb)	3318 l (7299.6 lb)
Heaped	4573 l (10060.6 lb)	4096 l (9011.2lb)
Machine Weights		
Unladen with operator	5300 kg (11660 lb)	
Operating Mass (ISO6016) without operator	5375 kg (11825 lb)	
Laden Weight (ISO 6016)	14375 kg (31625 lb)	
Front Axle Laden (ISO 6016)		
Rear Axle Laden (ISO 6016)		
Operating Temperature		
	This machine can operate in ambient temperatures of between -15°C and +40°C without special preparation. Refer to fluids and lubricants section in the Maintenance chapter.	

3.5 Noise Emissions

Table 3.5 - Noise Emissions

Model	Declared Single-Number Noise Emission Values to ISO 4871	
	A- rated sound pressure level at operator station	A - rated sound power of machine
	LpAd	LWAd
9MDX forward tip	86 dB	101dB
9MDX swing skip	86 dB	101dB

Note: The noise figures are only applicable for European CE Markets only.

3.6 Vibration Levels

Table 3.6 - Hand/Arm Vibration

	Operation	Value	Uncertainty
Hand Arm Vibration as defined in EN474-1	All operations	<2.5m/s ²	N/A
Whole body vibration values as defined in ISO/TR 25398	Work Cycle	0.529 rms	0.264m/s ²

Note: these values are for guidance only. Actual work site, operation and operator characteristics will have a large influence on actual values for specific circumstances.

NOTICE

Keep the operating environment and roadways on site in good condition, and reduce the speed of travel on the site to control whole body vibration levels.